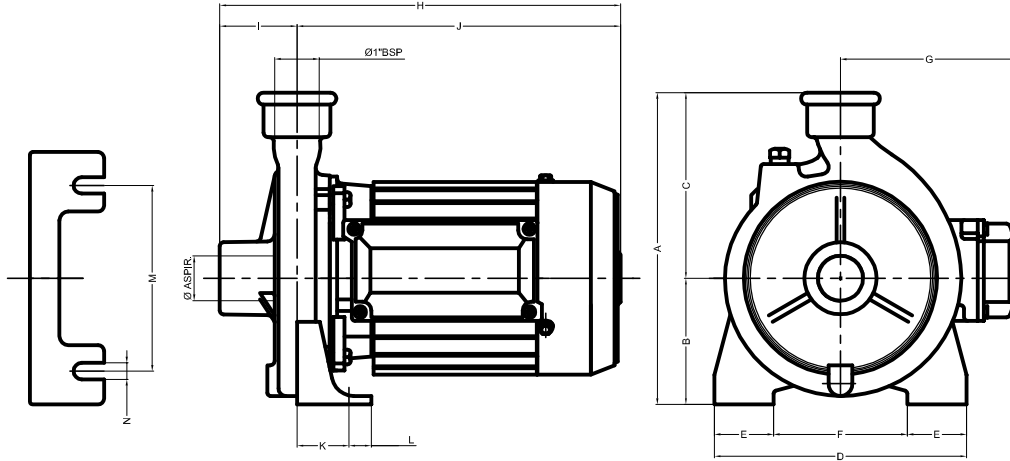


CARACTERÍSTICAS Y DIMENSIONES PRINCIPALES



MODELO		POTENCIA	DIAMETROS																PESO
MONOFASICA	TRIFASICA	CV	ASP.	IMP.	A	B	C	D	E	F	G	H	I	J	K	L	M	N	Kg.
ZETA 0		1/4	1"	1"	210	85	125	170	40	90	110	270	50	220	35	15	125	11	8.6
	ZETA I	1/2	1"	1"	210	85	125	170	40	90	110	295	50	245	35	15	125	11	10.3
ZETA II	ZETA IIT	1	1"	1"	240	100	140	190	50	90	120	305	55	250	35	15	140	14	14.5
ZETA III	ZETA IIIT	1	1"	1"	240	100	140	190	50	90	120	305	55	250	35	15	140	14	14.5
ZETA 4		1.5	1 1/4"	1"	304	142	162	240	50	140	134	409	82	327	35	15	190	14	23.4
	ZETA 4T	1.5									130	388		306					22.0
ZETA 5		2.5	1 1/4"	1"	304	142	162	240	50	140	144	450	82	368	35	15	190	14	28.0
	ZETA 5T	2.5									140	388		343					25.7
	ZETA 6T	3.5									140	450		82					368

PERFORMANCE HIDRÁULICA A 50Hz

